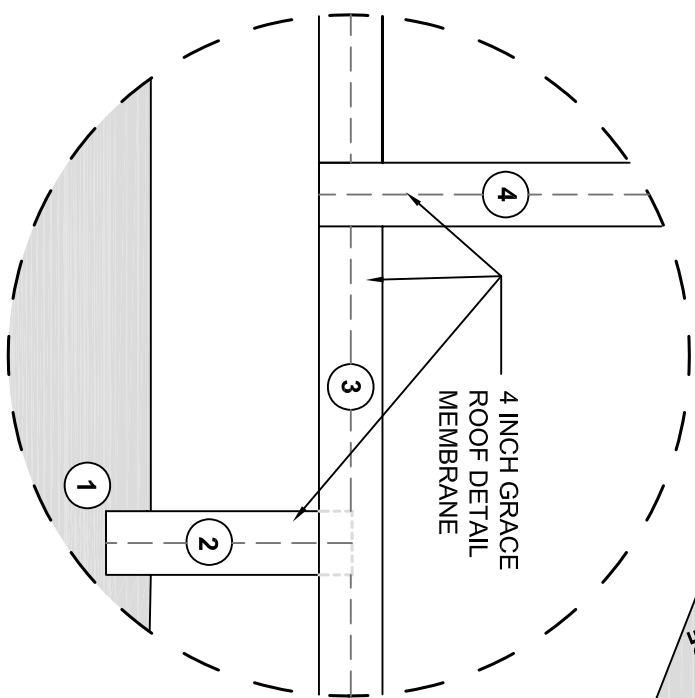
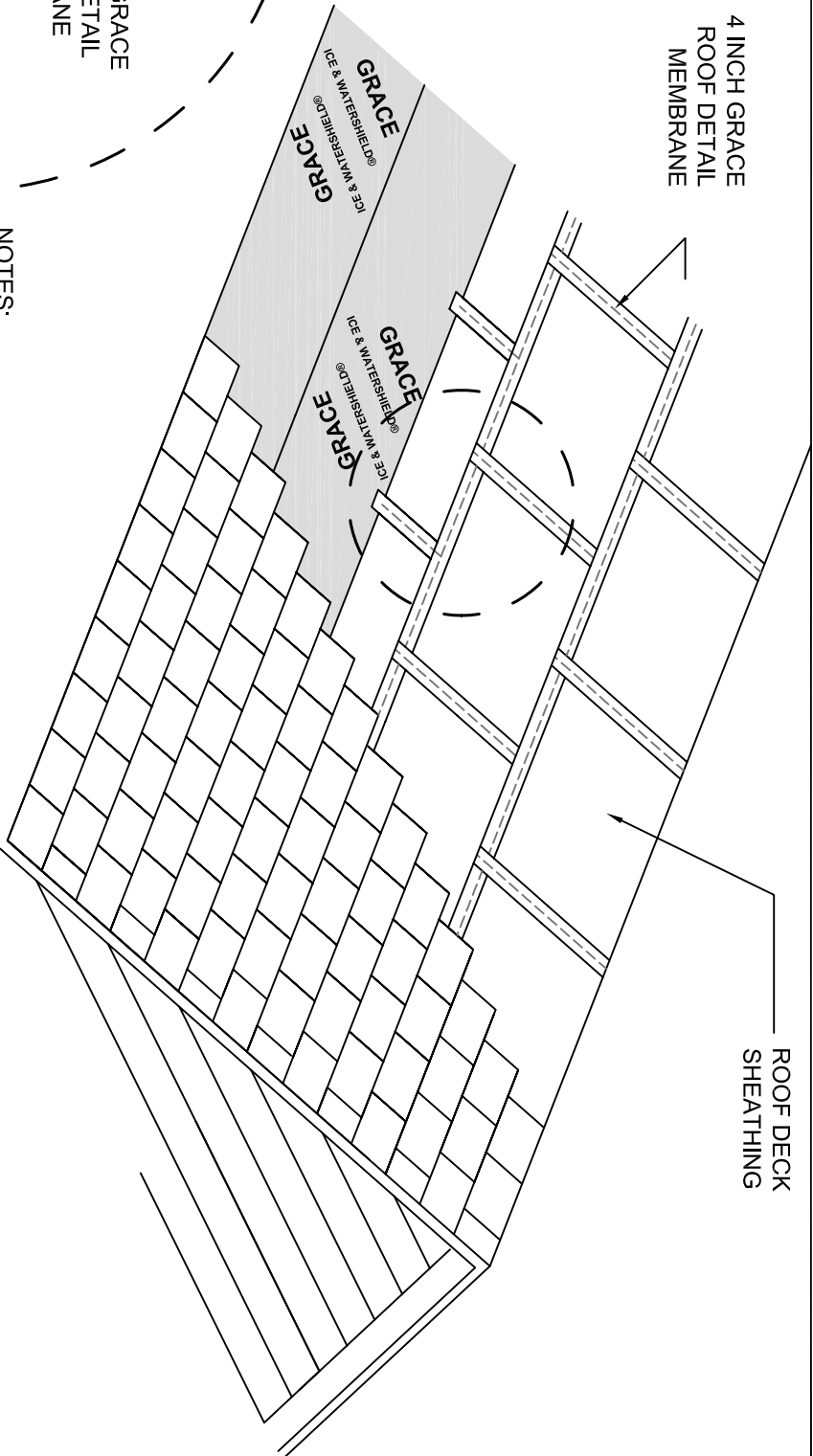


4 INCH GRACE
ROOF DETAIL
MEMBRANE



NOTES:

- A. VISIT GRACECONSTRUCTION.COM FOR THE MOST CURRENT DETAILS AND INSTALLATION VIDEO
- B. ACCORDING TO GOOD STANDARD PRACTICE, ALL VERTICAL SHEATHING JOINTS SHOULD BE STAGGERED.
- C. INSTALL 4 INCH GRACE ROOF DETAIL MEMBRANE® SO THAT ALL LAPS SHED WATER, BY WORKING FROM THE LOWEST TO THE HIGHEST PART OF THE ROOF
- D. ROLL MEMBRANE FIRMLY.

INSTALLATION INSTRUCTIONS:

- (NUMBERS BELOW CORRESPOND TO NUMBERS ON DETAIL TO THE LEFT)
1. INSTALL GRACE ICE & WATER SHIELD® FOLLOWING STANDARD INSTALLATION PROCEDURES
 2. APPLY VERTICAL MEMBRANE PIECE, CENTERED ON THE SHEATHING PANEL JOINT, BEGINNING 2 INCHES ONTO THE GRACE ICE & WATERSHIELD AND TERMINATING AT THE HOZONTAL SHEATHING JOINT.
 3. APPLY HORIZONTAL MEMBRANE PIECE CENTERED ON THE HORIZONTAL SHEATHING JOINT, OVER LAPPING ALL VERTICAL PIECES BY 2 INCHES.
 4. REPEAT STEP #2. OVERLAP WITH THE HORIZONTAL PIECE SHOULD BE A MINIMUM OF 2 INCHES.

4 INCH GRACE ROOF DETAIL MEMBRANE

Drawings: RDMDET-107
Scale: Not to scale
Effective Date: 05/16/2006
Supersedes: New