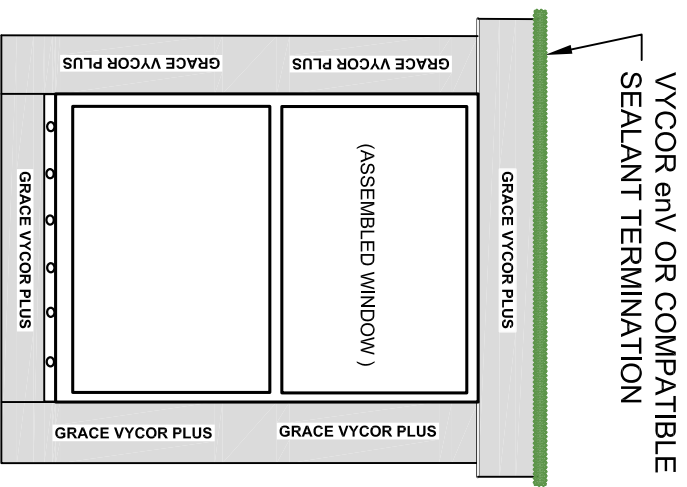
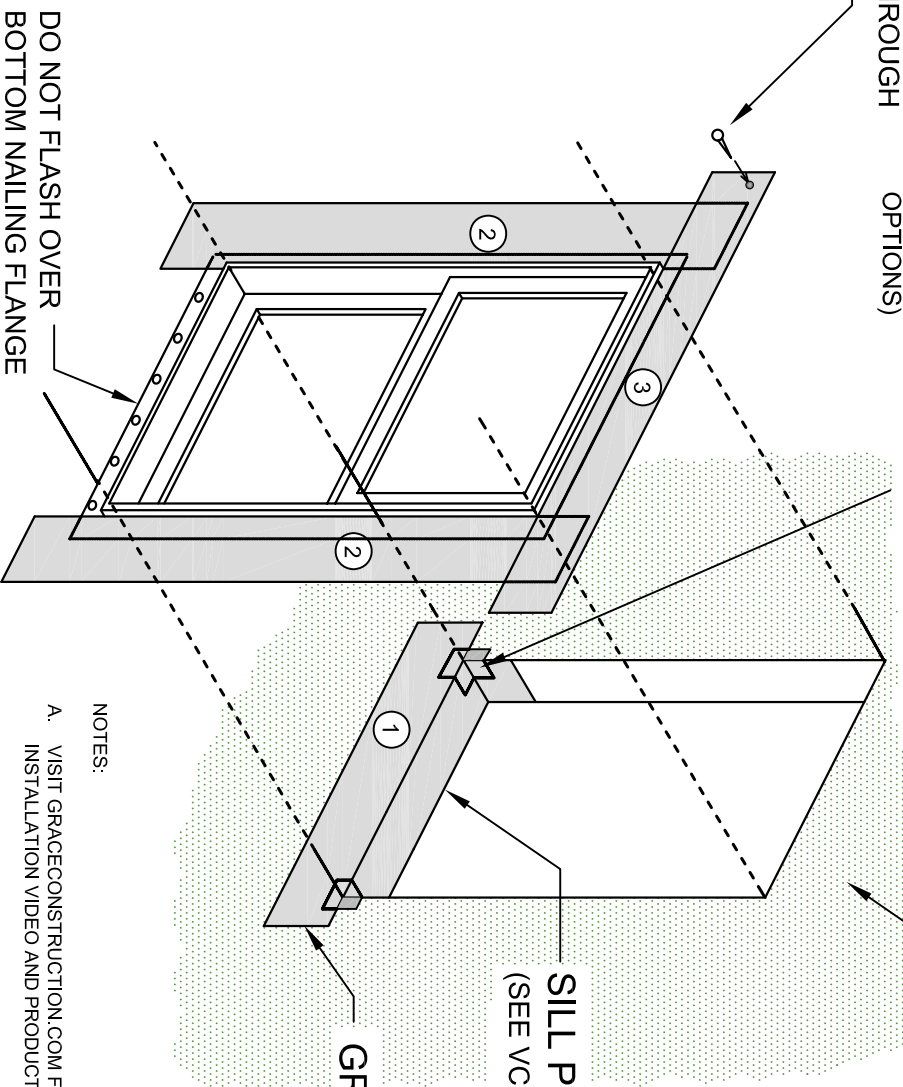


MECHANICALLY FASTEN AS NECESSARY IN CORNERS THROUGH GRACE VYCOR PLUS



GRACE VYCORNER™ OR CORNER PATCH RECOMMENDED (SEE VCRDET-507 OR VCRDET-504 FOR OPTIONS)

VYCOR® enV™ (SEE NOTE F)



SILL PLATE (SEE VCRDET-106 FOR OPTIONS)

GRACE VYCOR PLUS

NOTES:

- A. VISIT GRACECONSTRUCTION.COM FOR THE MOST CURRENT DETAILS, INSTALLATION VIDEO AND PRODUCT DATA SHEETS
- B. RIPCORD® CAN BE REMOVED FROM GRACE VYCOR PLUS FOR EASE OF INSTALLATION
- C. INSTALL GRACE VYCOR PLUS IN ORDER AS SHOWN BY NUMBERS
- D. DETAIL ALSO RELEVANT FOR ALL GRACE VYCOR FLASHINGS
- E. INSTALL VYCOR enV OR COMPATIBLE SEALANT TO TOP LEADING EDGE OF HEAD FLASHING
- F. REFER TO LOCAL BUILDING CODE REQUIREMENTS FOR WEATHER RESISTIVE BARRIER

FLANGED WINDOW

FLASHING INSTALLATION AFTER WEATHER RESISTIVE BARRIER
GRACE VYCOR® PLUS SELF-ADHERED FLASHING

GRACE
Construction Products
www.graceconstruction.com
toll free 866-333-3726

| |
|--------------------------|
| Drawing: VCRDET-100 |
| Scale: Not to scale |
| Effective Date: 04/01/09 |
| Supersedes: 01/31/07 |