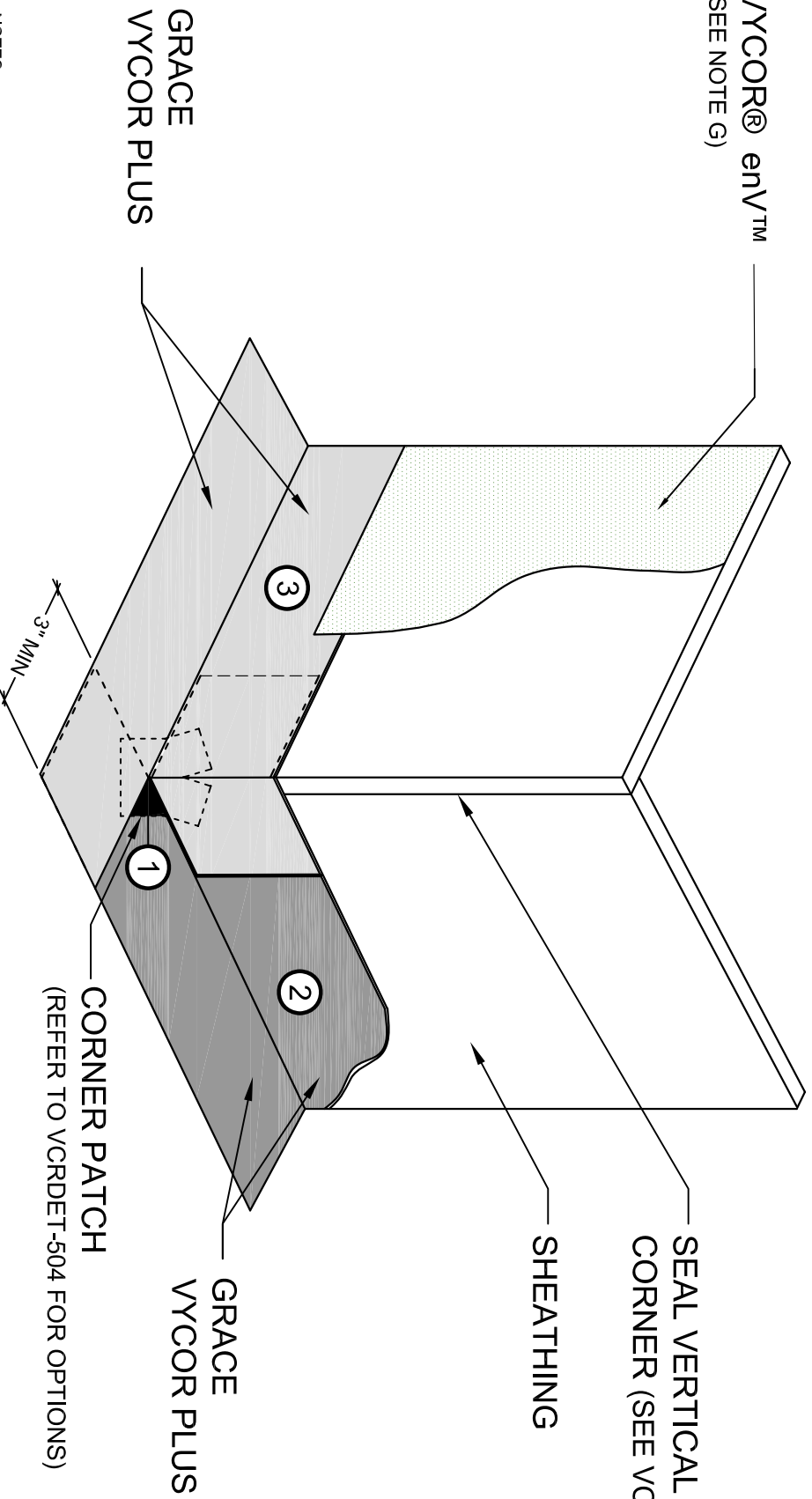


VYCOR® enV™  
(SEE NOTE G)

SEAL VERTICAL OUTSIDE  
CORNER (SEE VCRDET-501)

SHEATHING



NOTES:

- A. VISIT GRACECONSTRUCTION.COM FOR THE MOST CURRENT DETAILS, INSTALLATION VIDEO AND PRODUCT DATA SHEETS
- B. RIPCORD® CAN BE REMOVED FROM GRACE VYCOR PLUS FOR EASE OF INSTALLATION
- C. INSTALL GRACE VYCOR PLUS IN ORDER AS SHOWN BY NUMBERS
- D. MECHANICALLY FASTEN AS NECESSARY
- E. INSTALL GRACE VYCOR PLUS AND VYCOR enV TO FORM WATER-SHEDDING LAPS
- F. DETAIL ALSO RELEVANT FOR ALL GRACE VYCOR FLASHINGS
- G. REFER TO LOCAL BUILDING CODE REQUIREMENTS FOR WEATHER RESISTIVE BARRIER

# GRACE

Construction Products

www.graceconstruction.com

toll free 866-333-3726

## OUTSIDE CORNER

### GRACE VYCOR® PLUS SELF-ADHERED FLASHING

Drawing: VCRDET-500

Scale: Not to scale

Effective Date: 04/01/09

Supersedes: 01/31/07